

MR16 WELL LIGHT

490062 = 3' Pigtail

Housing Construction: Composite

Face Plate Construction: Brass

Weight: 1 Lb

Voltage: 12 or 24 Volt

Lens: Tempered Glass

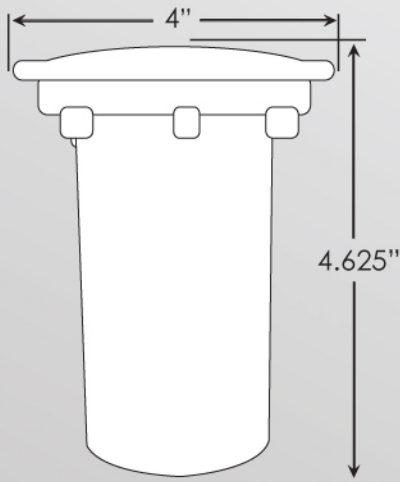
Wire: 3' Pigtail (18/2)

Wattage: Maximum 35 Watts

Shroud: Gasketed



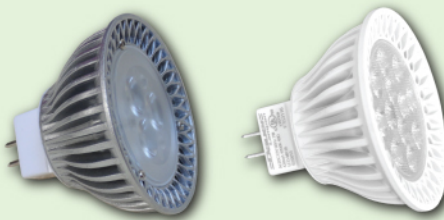
Well Lights



Lamp Options

LED Option:

4W, 5W, 7W LED MR16



Halogen Option:

Osram ECO MR16 - 14W, 20W, 35W

Osram Titan - 20W, 35W

Osram Halogen - 20W, 35W



800.883.2590

Dauer
Lampen